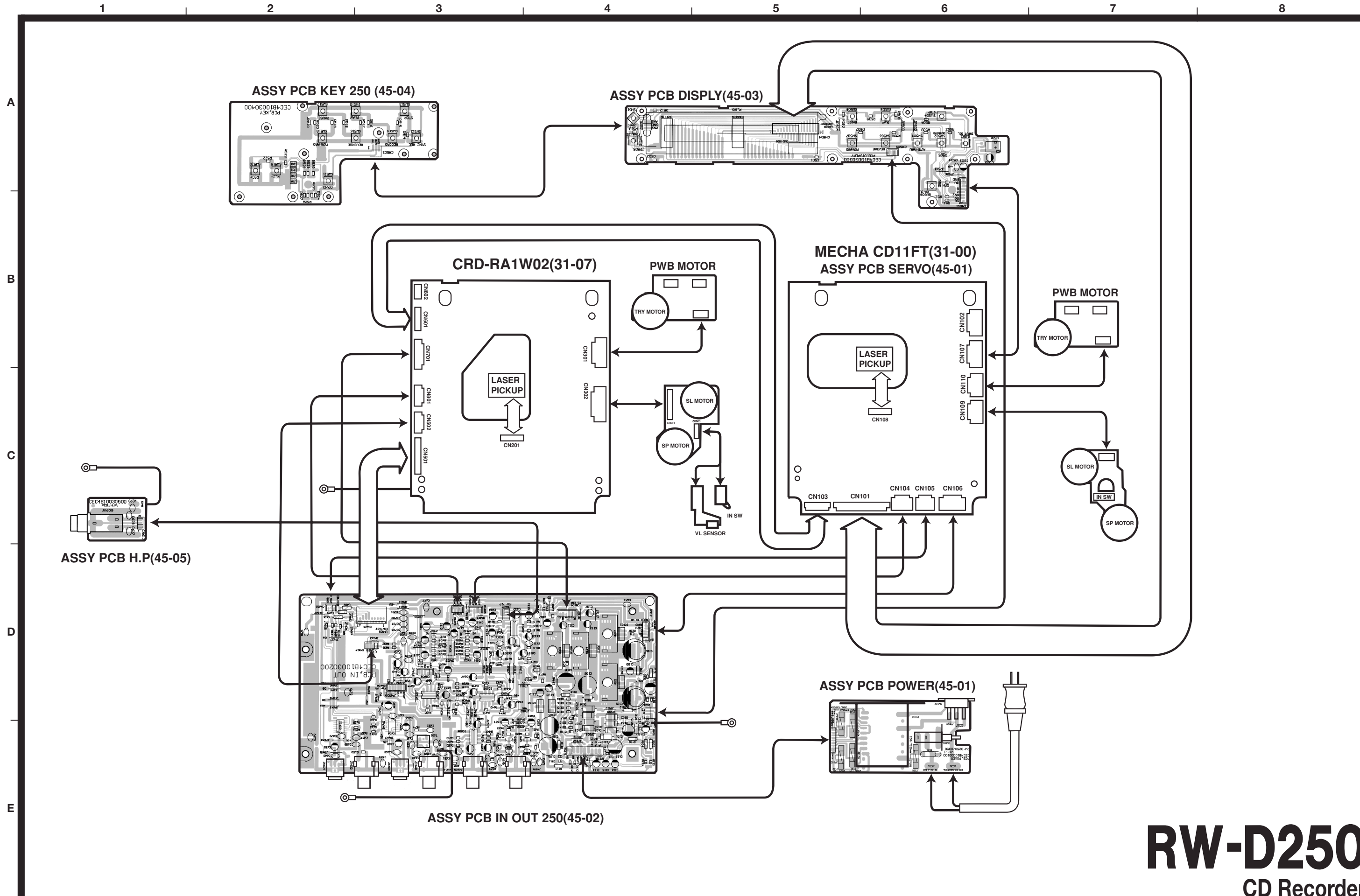
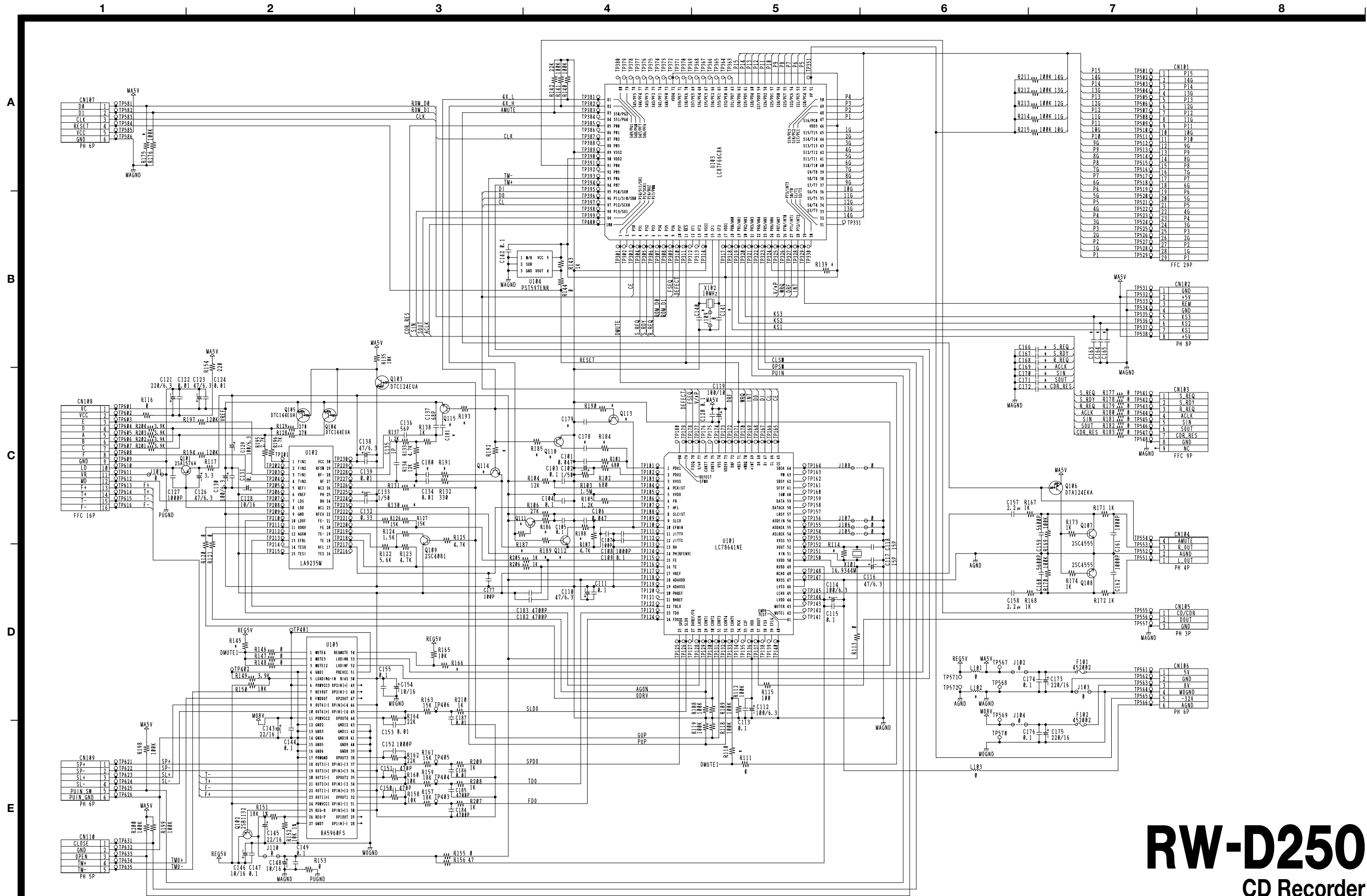


TEAC WIRING DIAGRAM RW-D250



TEAC SCHEMATIC DIAGRAM RW-D250 SERVO PCB



RW-D250
CD Recorder
 1st Issue; August 2000

TEAC SCHEMATIC DIAGRAM RW-D250 IN OUT PCB (2/2)/POWER PCB

1

2

3

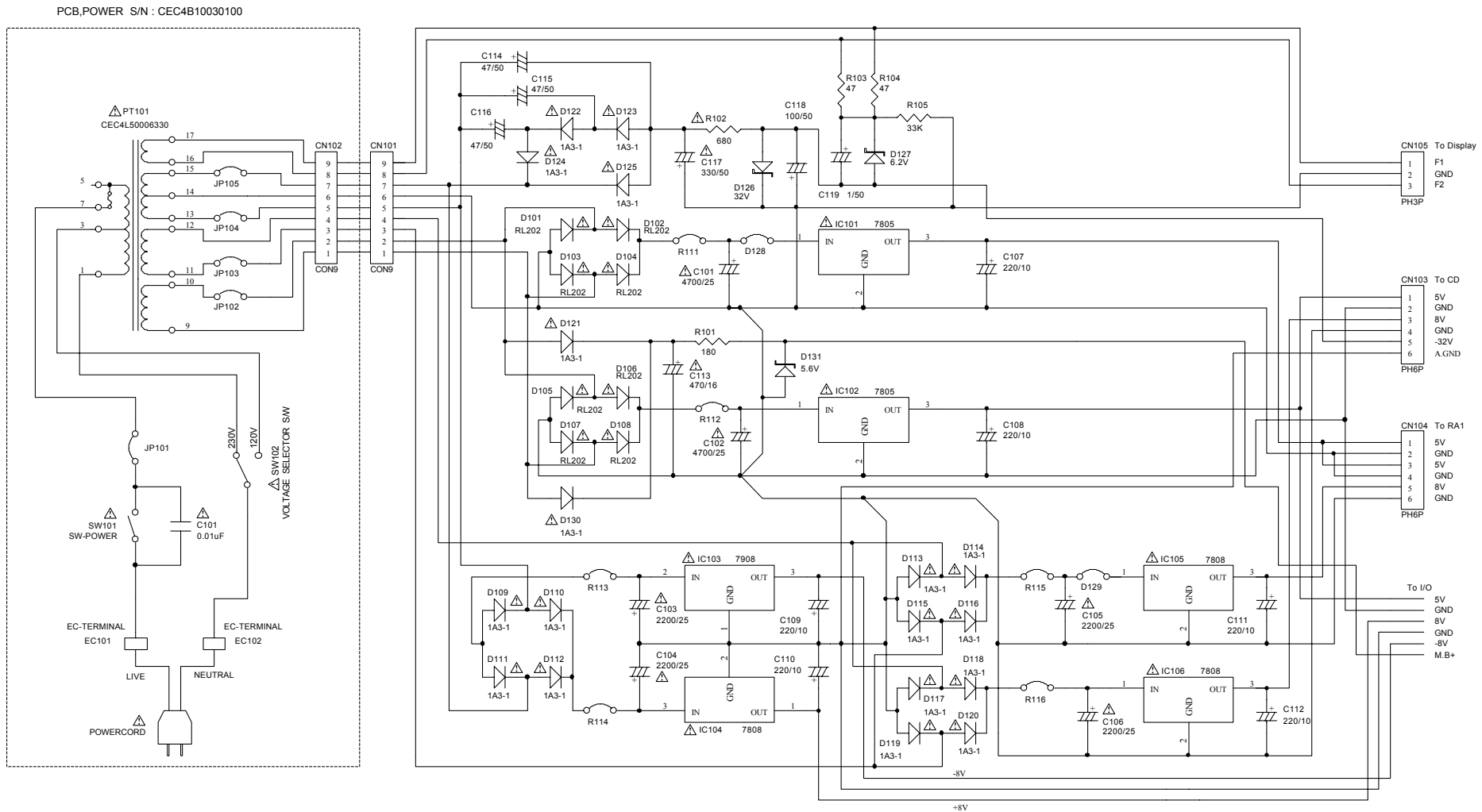
4

5

A

B

C



INSTRUCTIONS FOR SERVICE PERSONNEL
BEFORE RETURNING APPLIANCE TO THE CUSTOMER, MAKE LEAKAGE-CURRENT OR RESISTANCE MEASUREMENTS TO DETERMINE THAT EXPOSED PARTS ARE ACCEPTABLY INSULATED FROM THE SUPPLY CIRCUIT.

NOTES:

1. Resistor values are in ohms (k=kilo-ohms, M=megohms).
2. Capacitor values are in microfarads (p=picofarads).
3. Δ Parts marked with this sign are safety critical components. They must always be replaced with identical components-refer to the appropriate parts list and ensure exact replacement.

注意

1. 抵抗の単位は Ω ($k=k\Omega$, $M=M\Omega$) です。
2. コンデンサの単位は μF ($p=pF$) です。
3. Δ マークのある部品は安全規格重要部品です。交換するときは必ずティアック指定の部品を使用してください。

TEAC SCHEMATIC DIAGRAM RW-D250 DISPLAY PCB/KEY PCB

1

2

3

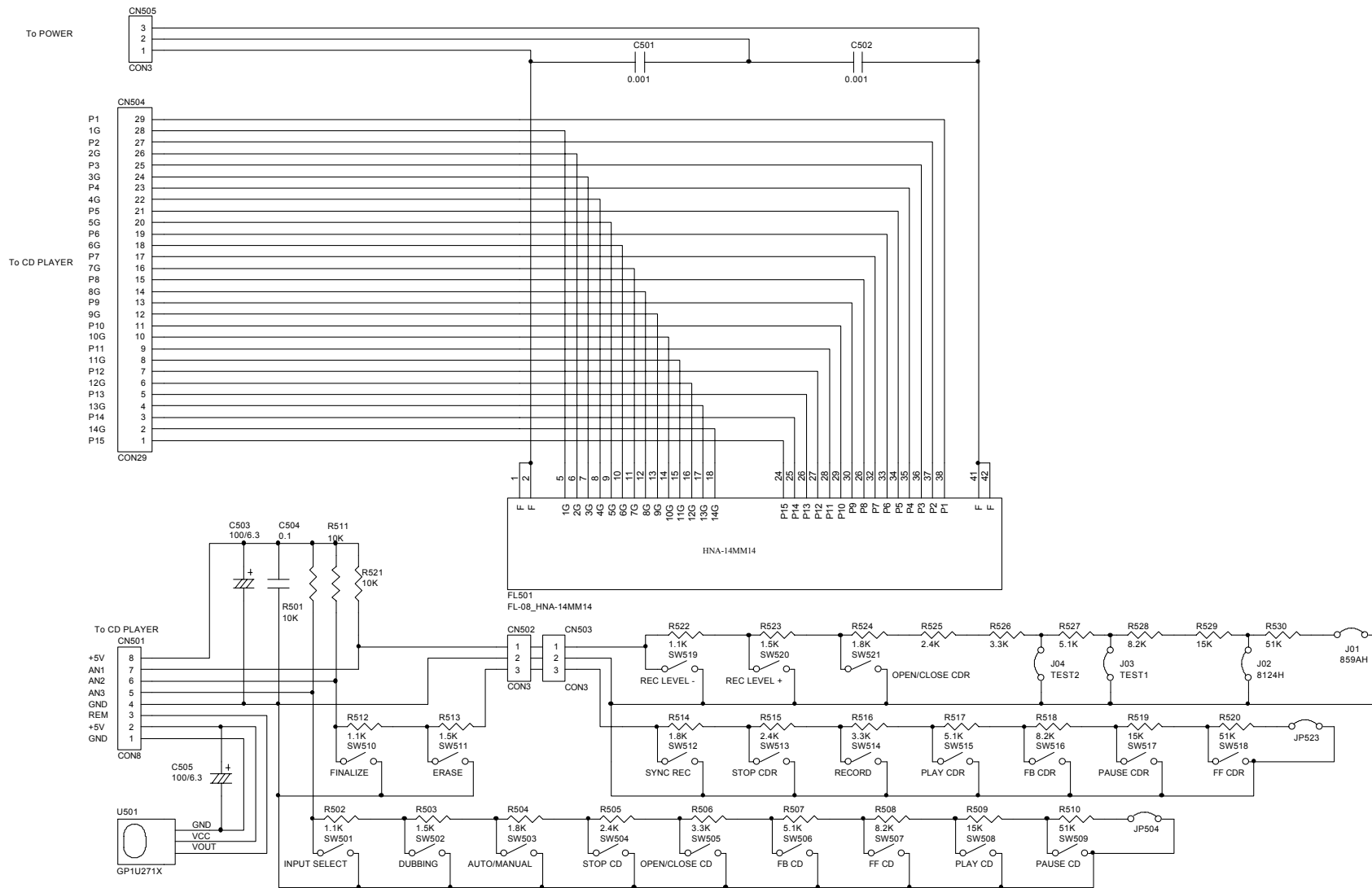
4

5

A

B

C



INSTRUCTIONS FOR SERVICE PERSONNEL
BEFORE RETURNING APPLIANCE TO THE CUSTOMER, MAKE LEAKAGE-CURRENT OR RESISTANCE MEASUREMENTS TO DETERMINE THAT EXPOSED PARTS ARE ACCEPTABLY INSULATED FROM THE SUPPLY CIRCUIT.

NOTES:

1. Resistor values are in ohms (k=kilo-ohms, M=megohms).
2. Capacitor values are in microfarads (p=picofarads).
3. Δ Parts marked with this sign are safety critical components. They must always be replaced with identical components-refer to the appropriate parts list and ensure exact replacement.

注意

1. 抵抗の単位は Ω (k=k Ω , M=M Ω) です。
2. コンデンサの単位は μF (p=pF) です。
3. Δ マークのある部品は安全規格重要部品です。交換するときは必ずティアック指定の部品を使用してください。